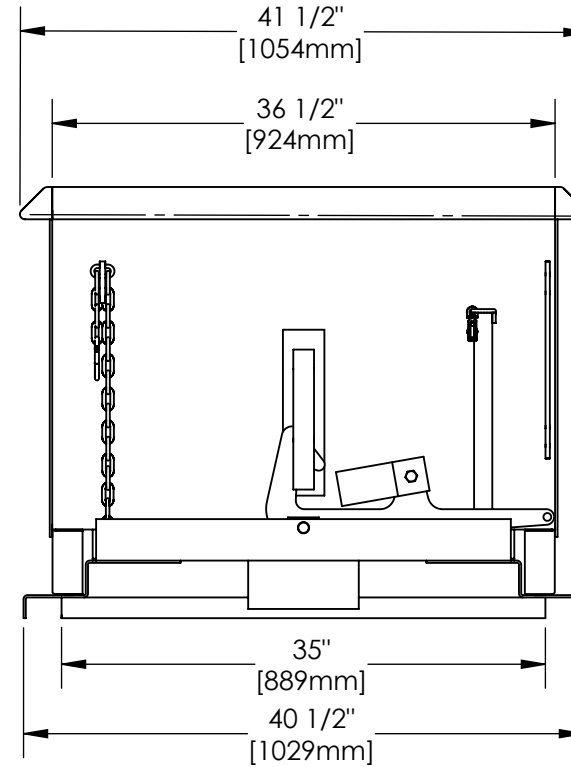
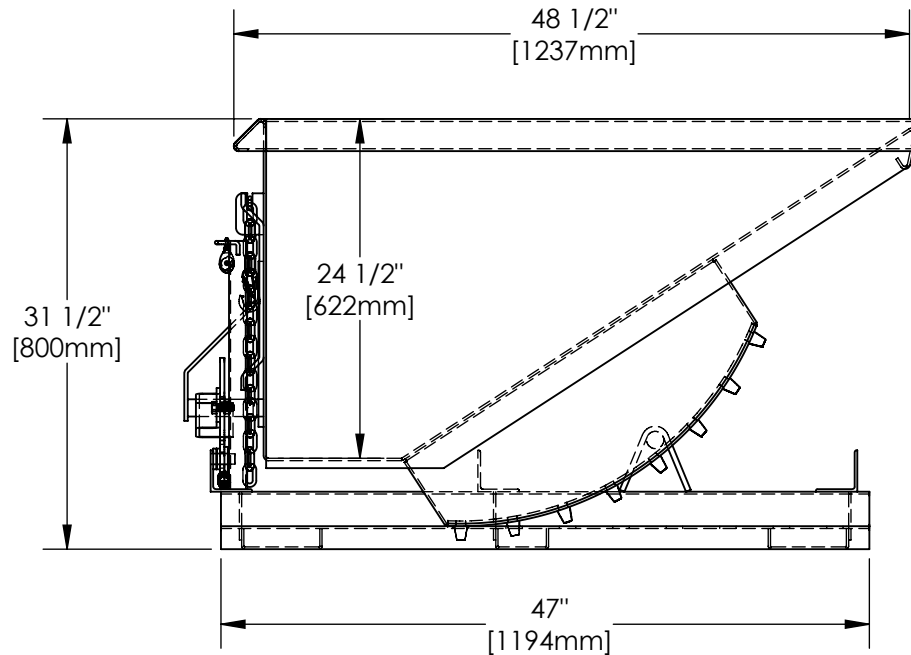


STACKABLE STEEL SELF-DUMPING HOPPER - HOP-50-HD

APPROX WEIGHT: 470 lbs.
 DOES NOT INCLUDE WEIGHT OF POWER OR PACKAGING!!!

*** ANY ADDITIONS, DELETIONS, OR OMISSIONS MUST BE CORRECTED ON THIS DRAWING AS THIS DRAWING WILL BE CONSIDERED ALL INCLUSIVE ***

ALL GRAPHICS PROVIDED ARE FOR REFERENCE ONLY. IF CERTAIN DIMENSIONS ARE CRITICAL PLEASE VERIFY THOSE DIMENSIONS WITH YOUR SALESPERSON



DIMENSION TOLERANCE ± 1/2"

STANDARD FEATURES

MODEL NUMBER IS: HOP-50-HD
 CAPACITY IS: 4,000 LBS.
 VOLUME IS: 1/2 CUBIC YARD
 OVERALL WIDTH IS: 41 1/2"
 OVERALL DEPTH IS: 48 1/2"
 OVERALL HEIGHT IS: 31 1/2"
 DURABLE LIQUID PAINT GREEN FINISH

APPROX. WEIGHT / LOST LOAD = 470 LBS.
 MINIMUM EFFECTIVE THICKNESS = LESS THAN 1"

NEVER EXCEED LOAD CENTER RATING PER
 FORKTRUCK MANUFACTURERS GUIDELINES.
 DO NOT USE THIS FORK TRUCK ATTACHMENT
 IF LOAD WILL EXCEED FORK TRUCK
 MANUFACTURER'S LOAD CENTER RATING

SPECIAL FEATURES

NONE

APPROVAL

I, THE UNDERSIGNED, AGREE THAT THE PRODUCT AS REPRESENTED SATISFIES DESIGN AND DIMENSION REQUIREMENTS. I ALSO ACKNOWLEDGE MY DUTY TO CONFIRM PRODUCT AND INSTALLATION COMPLIANCE WITH ALL APPLICABLE FEDERAL, STATE AND LOCAL REGULATIONS AND STANDARDS.
UNITS REQUIRING APPROVAL DRAWINGS OR MODIFIED ARE NON-RETURNABLE
 As drawn As marked

Signed: _____ Date: _____

Printed Name: _____

LEAD TIME WILL START UPON RECEIPT OF SIGNED APPROVAL DRAWING

DISTRIBUTOR'S NAME:		P.O.#
VESTIL MANUFACTURING		X
DRAWN BY: DROPSHIP		W.O.#
DATE: 5/26/2022		X
REFERENCE: X	SCALE: NTS	SALES: X
QUOTED LEAD TIME: X	QUOTE #	FILE NAME:
	X	HOP-50-HD